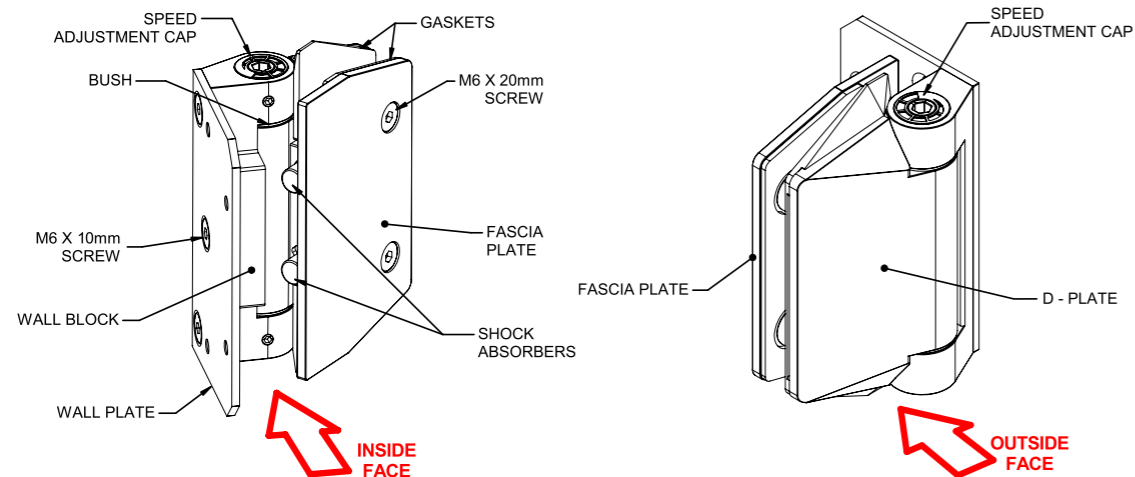




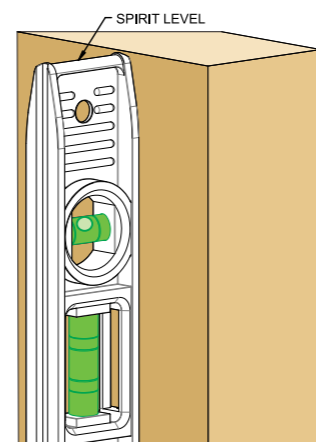
## HOW TO FIT POLARIS SOFT CLOSE HINGES (125GW)

### GLASS TO WALL FOR 10-12mm FRAMELESS GLASS

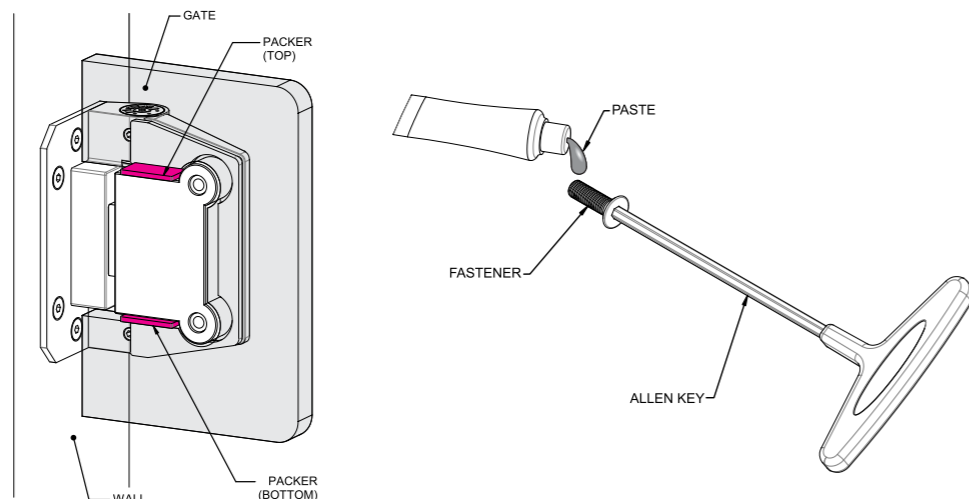


1. Remove the two Polaris Soft Close Hinges from the box and all the screws.  
*(BE CAREFULL WHEN HANDLING, AS THE HINGES HAVE STRONG SPRINGS WHICH COULD PINCH FINGERS)*
2. Hinges are packaged to accommodate 12mm glass (Gate and Hinge panels). If 10mm glass is used for the gate, install the thicker gasket on the gate side (gasket provided in the box)

3. Ensure that the wall and any the glass side panels are plumb and level.

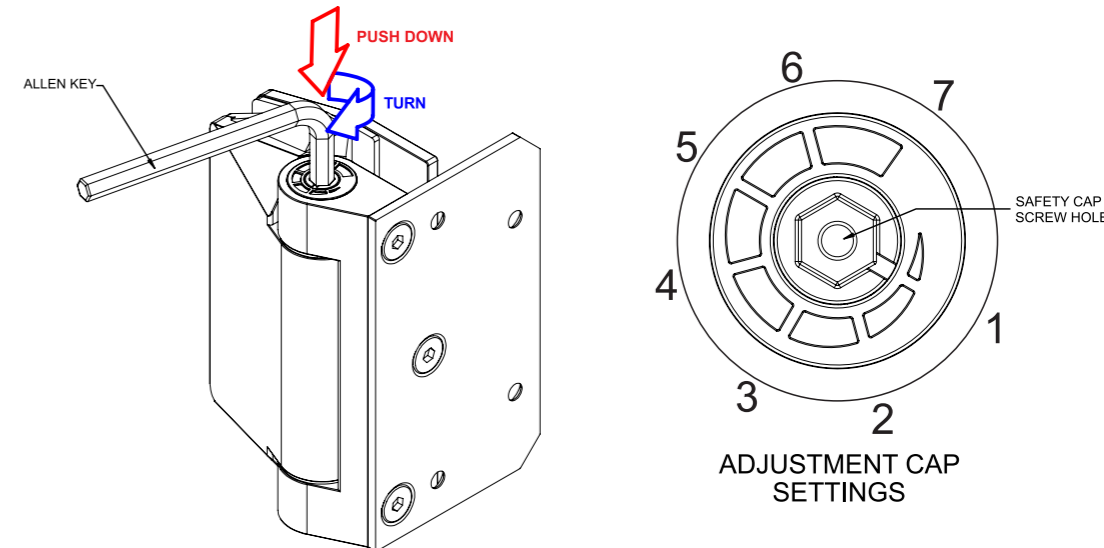


4. Fit the two hinges into the gate cut-outs with the screws on the inside. Hinges should be fitted in the centre of the cut-out. Proper Hinge height adjustment is accomplished by using the packers provided, as well as preventing a panel dropping hazard. **The top packer is compulsory!** Use the provided anti-seize paste on all fasteners for proper stainless steel installations.

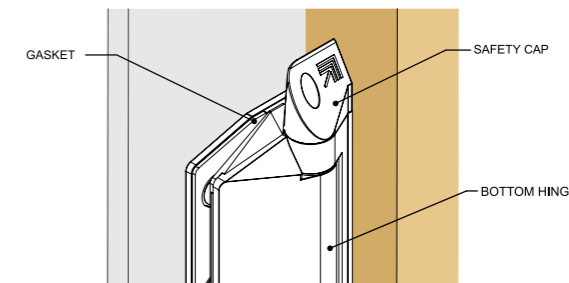


5. With correct gaps and packers in the correct positions, screw the fascia plates with the gaskets into place. Hinges are to be fitted straight and parallel. Using blocks + packers, place gate into position with extra 2mm higher at the latch end to allow for glass weight droop. Mark, drill and plug holes into the wall with secure fasteners

6. The whole weight of the gate is on the wall! In order for the gate to stay at the correct level, adjust the number of packers. Ensure the glass does not fowl on any metal parts or the wall, which is why the top packer is compulsory.
7. If the height of the gate needs to be adjusted, ensure both hinges are loosened on the gate first before adjusting. Set the gate a little higher than hinge panel with packers, then re-tighten hinges (tighten well)



6. The gates closing speed/strength can be adjusted by inserting an Allen key into the top slot. Gently push down whilst rotating the adjustment end cap clockwise to the next setting (this increases the tension). Should you want to Dis-engage the mechanism or lower the tension setting, push down whilst **firmly** holding onto the Allen key (2 handed control). The spring will push rotation and you can continue anti clockwise, but still keep downward pressure on the cap. Lifting the Allen key out of the endcap engages tension and holds your chosen setting. The above numbering diagram indicates spring tension strengths.
7. Test self-closing action and re-adjust if need be by repeating the above step (8.) It is important that the difference between the hinges tension settings are not greater that 1 setting apart (This ensures both hinges are sharing the work load and extends the life of the spring)



8. Where the hinges and cut-outs are spaced LESS than 900mm apart, the safety cap is to be installed on the bottom hinge's top if it's for a pool fence application. The safety cap stops the hinge being a 'climbing step' which needs to comply with Australian swimming pool safety standards. Use the Allen screw to attach the safety cap to the Speed Adjustment cap.

9. All screws should be tightened with good quality Allen Keys for maximum tension/pressure

MORE TECHNICAL SUPPORT ON YouTube - Polaris Hinges

#### TROUBLE SHOOTING

- Gate not self-closing:** ensure all panels are plumb (see 3.), ensure speed adjustment locking grub screw is NOT disengaged (see 8.), ensure hinges are fitted square and parallel (see 5.)
- Gate is not closing:** ensure shock absorbers are not interfering with closing action, Adjust speed adjustment cap (see 8.)
- Gate is slamming:** check that all shock absorbers are working, Adjust speed adjustment cap (see 8.)
- Gate closes to slow:** Ensure all panels are plumb. Adjust speed adjustment cap (see 8.)
- Gate is drooping:** identify where the "movement" is when lifting the gate. Is the gap between the hinge panel consistent with the gate from top to bottom? Ensure the hinges are packed inside the glass cut-outs (see 4&5.)

POLARIS SOFT CLOSE HINGE IS AN AUSTRALIA DESIGN AWARD™ WINNER – Glass Hardware Australia

[WWW.POLARISHINGE.COM.AU](http://WWW.POLARISHINGE.COM.AU) – [INFO@POLARISHINGE.COM](mailto:INFO@POLARISHINGE.COM)